

Neck tube with quick-change function Model EasyCon

WIKA data sheet AC 80.40

Applications

- Sanitary applications
- Food and beverage industry
- Bio and pharmaceutical industry, production of active ingredients
- Cosmetics industry

Special features

- Simple and tool-free mounting and dismounting of the thermometer
- Time saving during calibration through fast removal and installation
- Thread wear minimised at the thermowell / protection tube
- Integrated anti-rotation lock



Neck tube with quick-change function, model EasyCon

Description

With the quick-changeable EasyCon neck tube, thermometers can be mounted and dismounted easily and without tools.

The well thought-out base part with integrated push button enables the head part to be loosened quickly and conveniently from the thermowell / protection tube. For maximum flexibility, the connection head can be precisely aligned in 60° steps. An integrated anti-rotation lock ensures a strong and secure fit.

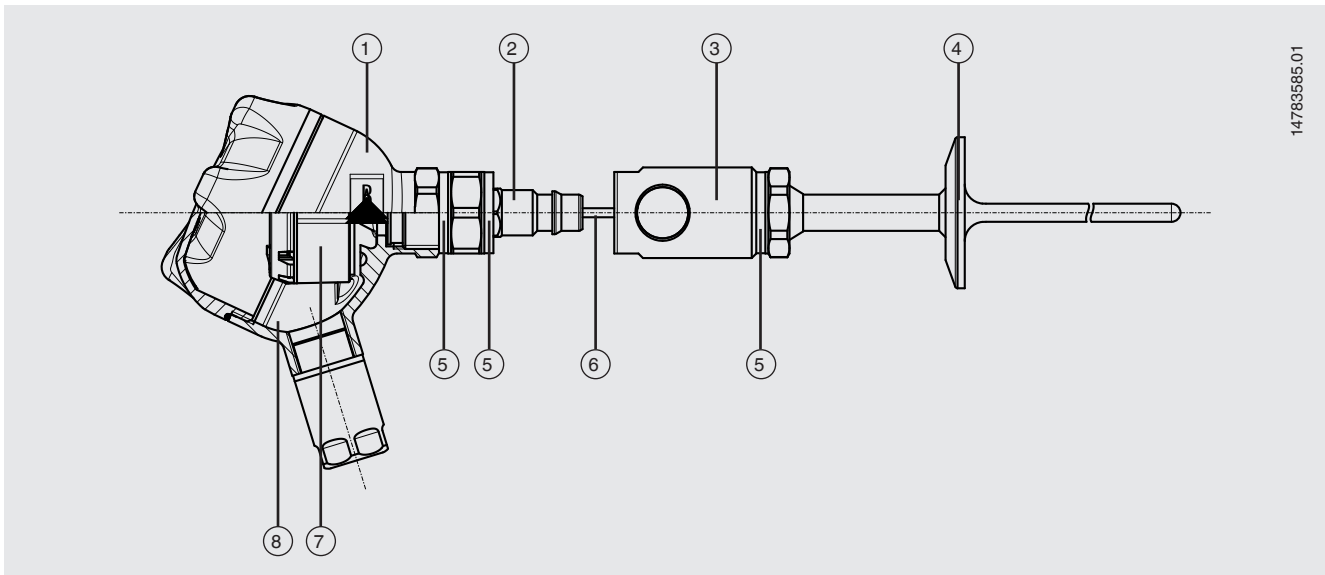
The base part is simply mounted on the thread of the thermowell / protection tube, while the head part is screwed into the thread of the connection head. Integrated seals reliably protect against moisture and dust, even under demanding operating conditions.

Thanks to the quick removal and installation, the calibration process can be designed significantly more efficiently - this saves valuable time during operation. In addition, the wear on the thread of the thermowell / protection tube is considerably minimised, since repeated screwing in and out is not necessary.

Ideal for applications that require frequent calibrations, especially for critical measuring locations that are subject to GMP-compliant documentation or also measuring locations in accordance with the HACCP concept.

Specifications

Representation of the components (example TR22-A)



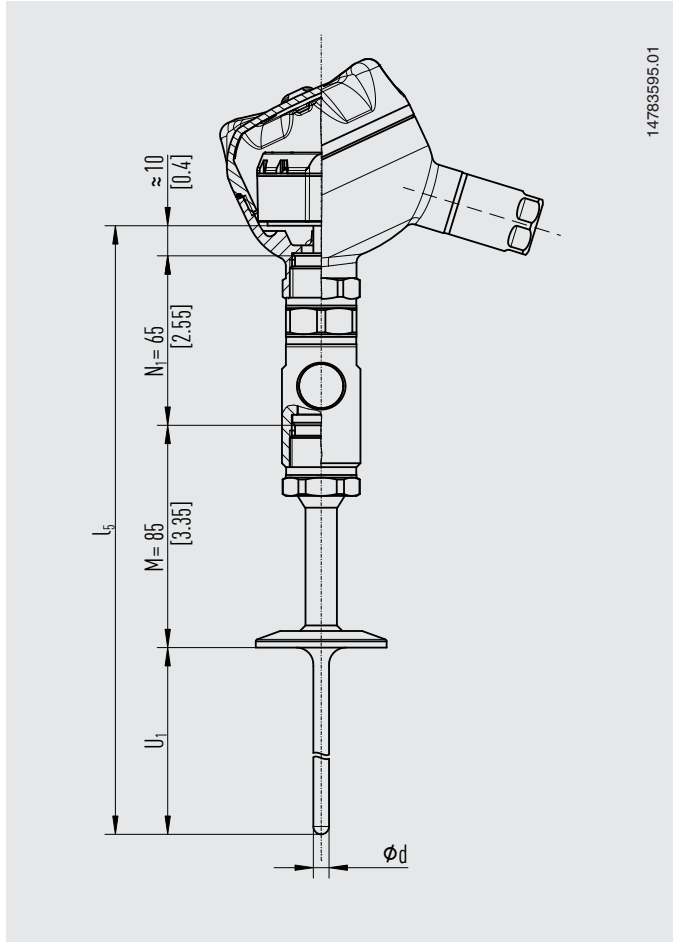
- ① Connection head
- ② Head part
- ③ Base part
- ④ Process connection
- ⑤ Seal
- ⑥ Measuring insert
- ⑦ Terminal block / Transmitter (selectable)
- ⑧ Cable gland

Basic information	
Additional insertion length N_1	65 mm [2.56 in] The additional insertion length N_1 must be observed when selecting the measuring insert when using the neck tube with the EasyCon quick-change function. The sensor length l_5 is calculated as follows: Insertion length U_1 + neck tube length M + additional insertion length N_1 + 10 mm, see dimensions
Measuring insert	3 ... 8 mm [0.12 ... 0.32 in]
Connection to head	M24 x 1.5 (male thread)
Connection to thermowell / protection tube	M24 x 1.5 (female thread ¹⁾)
Material (in contact with the environment)	1.4404 (316L)
Sealing material	Polyurethane
Measuring instruments	TR22-A, TR22-B → Other models on request
Weight in g	Approx. 300

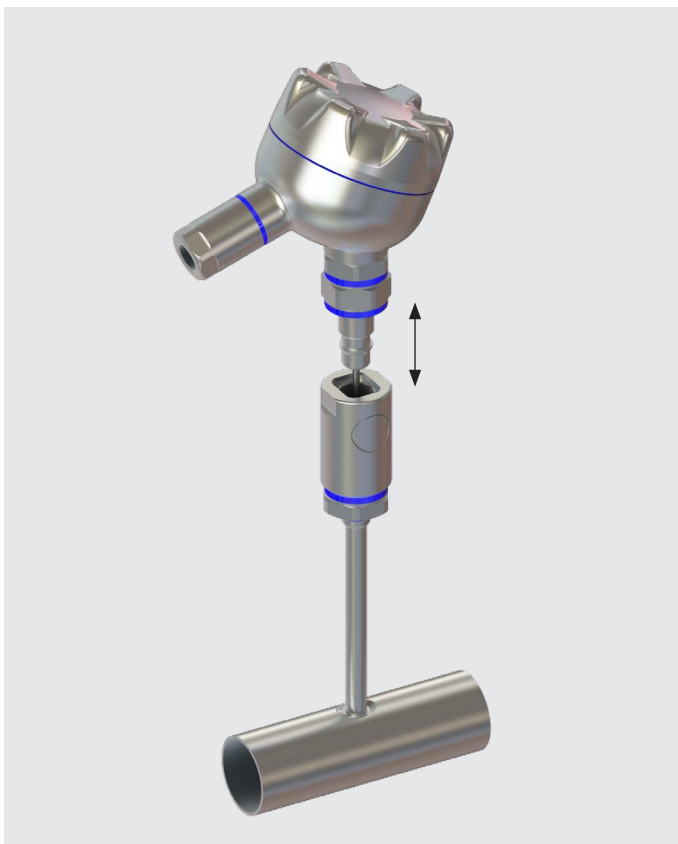
1) For combination with thermowells TW22 or TW61

Operating conditions	
Ambient temperature range	-40 ... +85 °C [-40 ... +185 °F]
Ingress protection per IEC/EN 60529	IP65
Ingress protection of the complete instrument	Depending on thermometer version

Dimensions in mm [in]



Application example TR22-B with thermowell for orbital welding



Spare parts

Model	Description	Order number
Seal	Insert seal for EasyCon neck tube	11429038

Ordering information

To order the described product, the order number is sufficient.

Model	Description	Order number
EasyCon	Neck tube with quick-change function	14785146

© 08/2025 WIKA Alexander Wiegand SE & Co. KG, all rights reserved.
The specifications given in this document represent the state of engineering at the time of publishing.
We reserve the right to make modifications to the specifications and materials.

