

Gas Leak Tight Connection Model GLTC10 - Valves

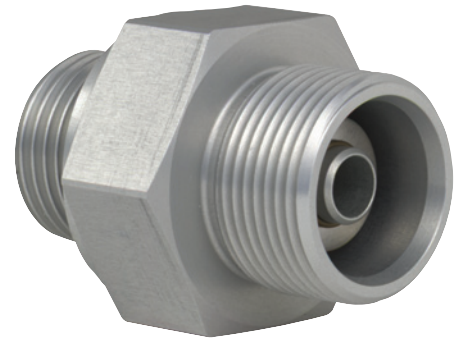
WIKA Data Sheet SP 61.02

Applications

- Sealing of tank filling ports to SF₆ filled switchgear

Special Features

- Self-sealing
- Designed for repeated opening and closing
- Material: Aluminium
- O-ring: EPDM rubber for high heat resistance



Gas Leak Tight Connection Model GLTC10 - Valve

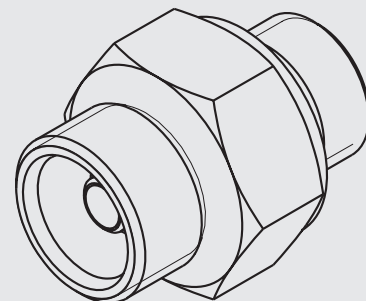
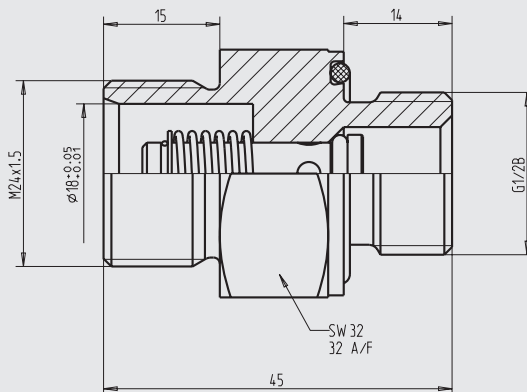
Description

Keeping SF₆ gas inside circuit-breaker tanks during the filling process is nearly impossible without using a self-sealing coupling. WIKA Gas Leak Tight Connections are a cost effective way to seal SF₆ tanks so that filling and evacuation can be efficiently performed and prevent accidental release of SF₆ gas into the atmosphere.

Each coupling is Helium leak tested to a level of $\leq 1 \cdot 10^{-8}$ mbar · l / sec to ensure a leak-tight system.

Custom configurations are available.
Please inquire directly to sf6-sales@wika.de for more details.

Nominal Bore 6 mm (DN 6)
Material: Aluminium
Order No.: 11385384



11327723.01