

Bourdon tube pressure gauge with electrical output signal Stainless steel case, ingress protection IP 41 Model PGT11

WIKA data sheet PV 11.06



for further approvals
see page 2

intelliGAUGE®

Applications

- General machine building
- Medical gases

Special features

- Non-contact sensor (wear-free)
- Robust stainless steel case
- Nominal size 40, 50, 63
- Scale ranges 0 ... 1.6 bar to 0 ... 400 bar
- Different output signals



Bourdon tube pressure gauge model PGT11

Description

Design

EN 837-1

Nominal size in mm

40, 50, 63

Accuracy class

2.5

Scale ranges

0 ... 1.6 to 0 ... 400 bar

or all other equivalent vacuum or combined pressure and vacuum ranges

Pressure limitation

Steady: 3/4 x full scale value

Fluctuating: 2/3 x full scale value

Short time: Full scale value

Permissible temperature

Ambient: -20 ... +60 °C

Medium: +60 °C maximum

Storage: -40 ... +70 °C

Temperature effect

When the temperature of the measuring system deviates from the reference temperature (+20 °C): max. $\pm 0.4 \%$ / 10 K of the span

Process connection

Copper alloy

Lower mount (LM) or centre back mount (CBM) (NS 40 only back mount)

G 1/4 B (male), 14 mm flats

Pressure element

Copper alloy

Movement

Copper alloy

Dial

Plastic, white, black lettering

Pointer

Plastic, black

Case

Stainless steel

Window

Plastic, crystal-clear (PC)

Ingress protection

IP 41 per EN 60529 / IEC 60529

Electronics

Power supply

DC 5 V / DC 12 ... 32 V

Output signal (275° indication angle)

With $U_S = DC 5 V$, ratiometric:

0.5 ... 2.5 V, 0.5 ... 3.5 V or 0.5 ... 4.5 V

With $U_S = DC 12 ... 32 V$, not ratiometric:

0.5 ... 2.5 V, 0.5 ... 3.5 V or 0.5 ... 4.5 V or
4 ... 20 mA, 2-wire

Electrical connections

Cable outlet, standard length 2 m

Colour	2-wire	3-wire
red	$U_B +$	$U_B +$
black	GND	GND
orange	-	$U_{SIG} +$

Electromagnetic compatibility

Per test standards EN 61000-4-6 / EN 61000-4-3

Output signal and permissible load

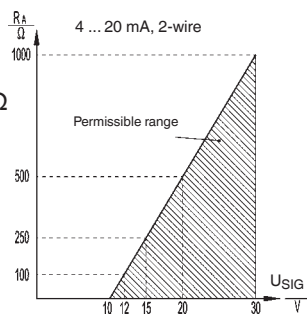
Voltage output (3-wire): $R_A > 5 k\Omega$

Current output (2-wire)

4 ... 20 mA:

$R_A \leq (U_{SIG} - 10 V) / 0.02 A$ with

R_A in Ω and U_{SIG} in DC V



Options

- Other process connection (with adapter, copper alloy)
- Sealings (model 910.17, see data sheet AC 09.08)
- Other electrical connections (e.g. connector M12 x 1)
- Other cable length

CE conformity

Pressure equipment directive

97/23/EC, PS ≥ 200 bar, module A, pressure accessory, for instruments < 200 bar article 3.3 applies - sound engineering practice

EMC directive

2004/108/EC, EN 61326 emission (group 1, class B) and interference immunity (industrial application)

Approvals

- **EAC**, import certificate, customs union Russia/Belarus/Kazakhstan
- **GOST**, metrology/measurement technology, Russia
- **CRN**, safety (e.g. electr. safety, overpressure, ...), Canada

Certificates (option)

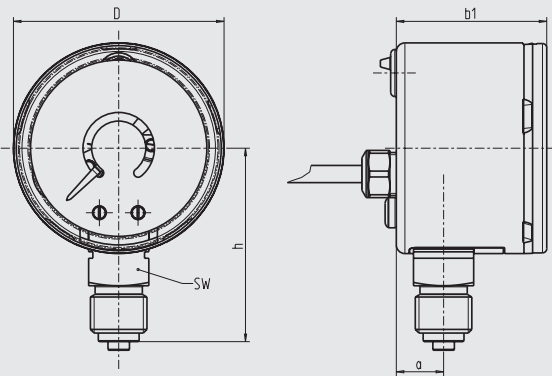
- 2.2 test report per EN 10204 (e.g. state-of-the-art manufacturing, material proof, indication accuracy)
- 3.1 inspection certificate per EN 10204 (e.g. indication accuracy)

Approvals and certificates, see website

Dimensions in mm

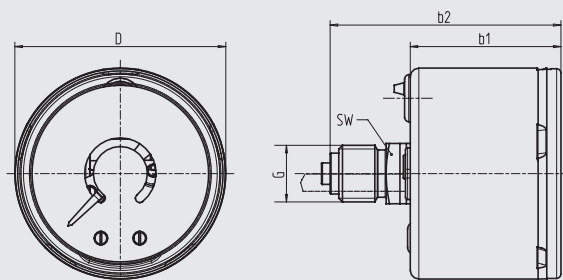
Standard version

Lower mount (LM), NS 50, 63



1155590.01

Centre back mount (CBM), NS 40, 50, 63



1155603.01

NS	Dimensions in mm							Weight in kg
	a	b ₁	b ₂	D	G	h	SW	
40	10.7	30.6	48	40	G 1/8 B	36	14	0.1
50	11	35.5	53.6	49	G 1/4 B	45	14	0.2
63	11.4	35.1	55.1	61.9	G 1/4 B	53.5	14	0.2

Process connection per EN 837-1 / 7.3

Ordering information

Model / Nominal size / Scale range / Connection size / Connection location / Output signal / Options

© 2010 WIKA Alexander Wiegand SE & Co. KG, all rights reserved.
The specifications given in this document represent the state of engineering at the time of publishing.
We reserve the right to make modifications to the specifications and materials.

