

OEM float switch

Miniature design, horizontal installation

Model RLS-8000

WIKA data sheet LM 50.12

Applications

- Limit level measurement in machine building
- Dry run monitoring in mobile working machines
- Monitoring of hydraulic power packs and chillers
- Overfill measurement in water technology
- Specifically developed for OEM customers
(minimum lot size: 50 pieces)

Special features

- From customisation to design-in solution
- Low variance by local adjustment of the normally open/ normally closed switching function via rotation of the float
- Various materials and up to 10^9 switching cycles guarantee a long service life

Description

The model RLS-8000 is a small and economical float switch with a single switch point, designed specifically for the needs of OEM customers. With its compact dimensions, it is particularly suitable for monitoring dry running or the overfilling of small tanks. The miniature float switch from plastic combines solid performance with high mechanical robustness and an attractive price.

Tailored to your machines

To ensure that the model RLS-8000 float switch is perfectly matched to the application on site, WIKA offers design-in solutions. Whether customer-specific tank connection, individualised electrical connections or designs: We adapt the model RLS-8000 for original equipment manufacturers to their respective requirements. This minimises the effort and cost of installation and maintenance, with maximum safety and compatibility.



Fig. top: Model RLS-8000 with G ½, installation from outside

Fig. bottom: Model RLS-8000 with M16 x 2, installation from inside

Change of function through 180° rotation

The reduction of variance and thus logistical effort is central in OEM production. For this reason, the model RLS-8000 miniature float switch, by rotating it through 180°, can be alternated from a normally open into a normally closed contact. Thus there is no need to keep a second float switch in stock.

Maximum reliability at a minimum cost

The model RLS-8000 is available in a variety of chemically resistant and robust plastics with very low water absorption. In addition, high-quality reed contacts guarantee up to one billion switching cycles, depending on the application. The use of the float switch is highly efficient in a multitude of applications thanks to its long-term, reliable performance and low “total cost of ownership”.

Specifications

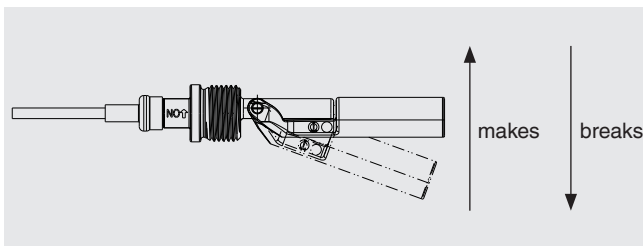
Float switch, model RLS-8000	
Measurement principle	Potential-free switching reed contact is triggered by a magnet in the float.
Output signal	1 switch point
Switching function ¹⁾	Normally open (NO) - on rising level Can be used as normally closed (NC) contact by a 180° rotation of the float
Switching power	AC 230 V; 10 VA; 0.5 A; 50 ... 60 Hz DC 230 V; 10 W; 0.5 A
Accuracy	≤ 3 mm switch point accuracy incl. hysteresis, non-repeatability
Mounting position	±30°
Material	
Wetted	<ul style="list-style-type: none"> ■ Polypropylene (PP) ■ Polyamide PA6.6 ■ Polyamide PA12
Non-wetted	PVC
Permissible temperatures	Polypropylene (PP) Polyamide PA6.6
Medium	-25 ... +80 °C [-13 ... +176 °F] -25 ... +100 °C [-13 ... +212 °F]
Ambient	-25 ... +80 °C [-13 ... +176 °F] -25 ... +100 °C [-13 ... +212 °F]
Storage	-25 ... +80 °C [-13 ... +176 °F] -25 ... +80 °C [-13 ... +176 °F]
Operating pressure	≤ 4 bar [≤ 58.0 psi]
Density	
Polypropylene (PP)	≥ 700 kg/m ³ [43.7 lbs/ft ³]
Polyamide PA6.6	≥ 750 kg/m ³ [46.8 lbs/ft ³]

1) Change-over contact on request

Electrical connections	Ingress protection per IEC/EN 60529	Protection class	Material	Cable length
Cable outlet	IP67	II	PVC	1 m [3.3 ft]

Other lengths and materials as well as M8 x 1 connector on request

Operating principle



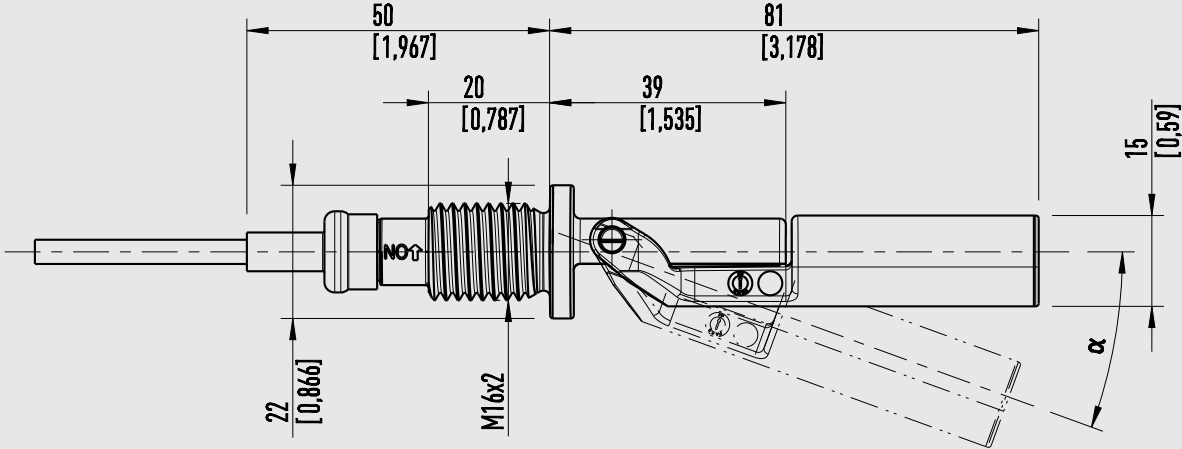
Connection diagram



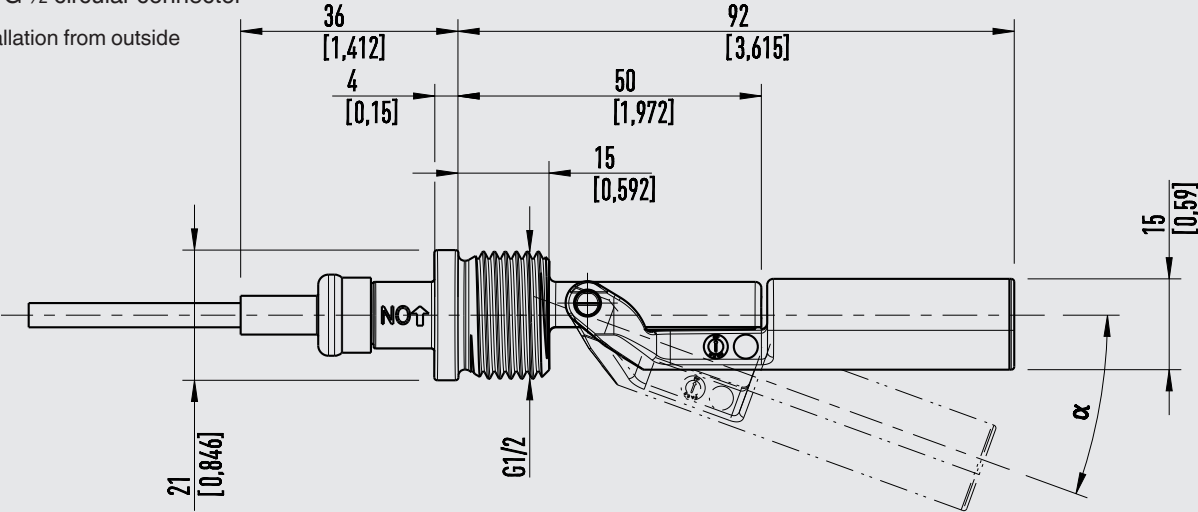
Legend
 WH White
 BN Brown

Dimensions in mm [in]

with M16 x 2 circular connector
 Installation from inside



with G 1/2 circular connector
 Installation from outside



Switch point with angular position $\alpha = 12^\circ \pm 4^\circ$

Approvals

Logo	Description	Country
	EU declaration of conformity <ul style="list-style-type: none">■ Low voltage directive■ RoHS directive	European Union

Manufacturer's information and certificates

Logo	Description
-	China RoHS directive

Approvals and certificates, see website

Order numbers

Model	Order number
Float switch from polypropylene (PP) 1 m cable from PVC, M16 x 2	14319875
Float switch from polypropylene (PP) 1 m cable from PVC, G ½	14319876
Float switch from polyamide PA6.6 1 m cable from PVC, M16 x 2	14319877
Float switch from polyamide PA6.6 1 m cable from PVC, G ½	14319878

Lot size: 50 pieces

Ordering information

To order the described product the order number is sufficient.

© 03/2019 WIKA Alexander Wiegand SE & Co. KG, all rights reserved.
The specifications given in this document represent the state of engineering at the time of publishing.
We reserve the right to make modifications to the specifications and materials.

