

Mounting kit for compression force transducer model F1201

For rated loads up to 30 t

Model FA201

WIKA data sheet AC 50.13

Applications

- Ideal for platform scales
- Hopper scales
- Silo scales
- Intelligent amplifiers and strain gauge measuring instruments for analysing and transmitting the measuring results

Special features

- Measuring ranges 2.5 t ... 30 t [5,511 lb ... 66,139 lb]
- Robust and industrial-strength stainless steel version
- Integrated lift-off protection and horizontal installation
- Low overall height, easy installation



**Mounting kit model FA201
for model F1201 compression force transducer**

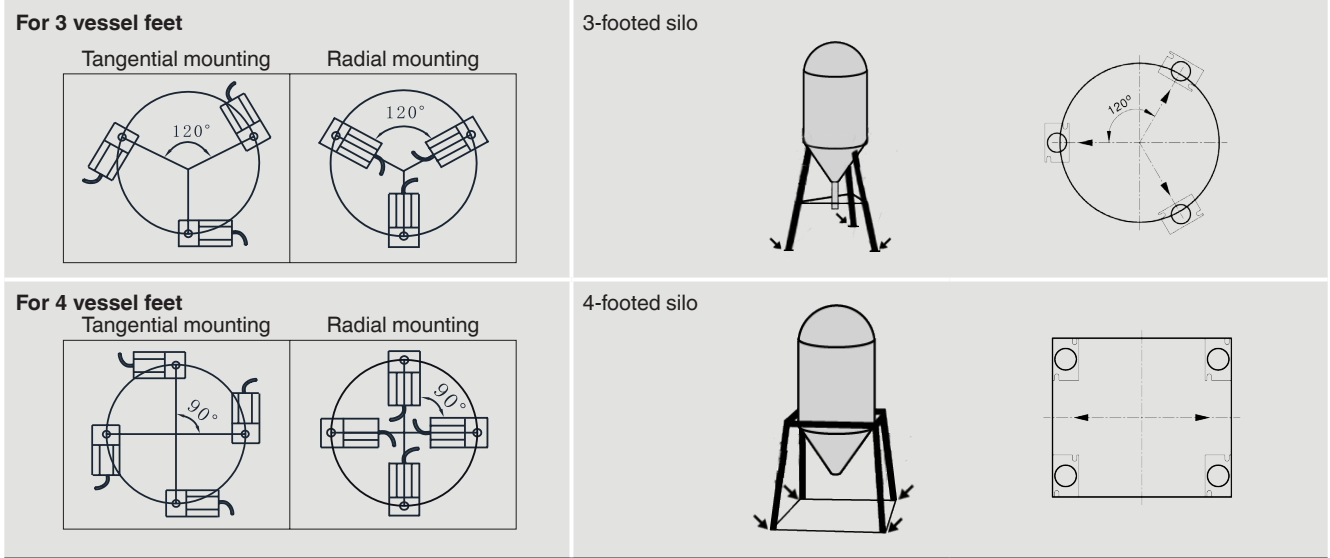
Description

The mounting kit model FA201 for the force transducer model F1201 are designed in such a way that both optimum force introduction is applied to the load cell and the greatest possible freedom of movement is achieved in order to compensate for temperature-related expansion, mechanical stresses and slight vibrations.


The installation kit enables simple and easy implementation of the force transducer in a structure, offers integrated lift-off protection and a horizontal stop, combined with a very low overall height.

The force transducer (not included in the delivery) can be easily removed and installed in the final mounting kit. Assembly is carried out using screws.

Mounting options



Overview of suitable force transducers

Model		
	F1201	Compression force transducer Rated load up to 30 t [66,139 lb] → See data sheet FO 51.71

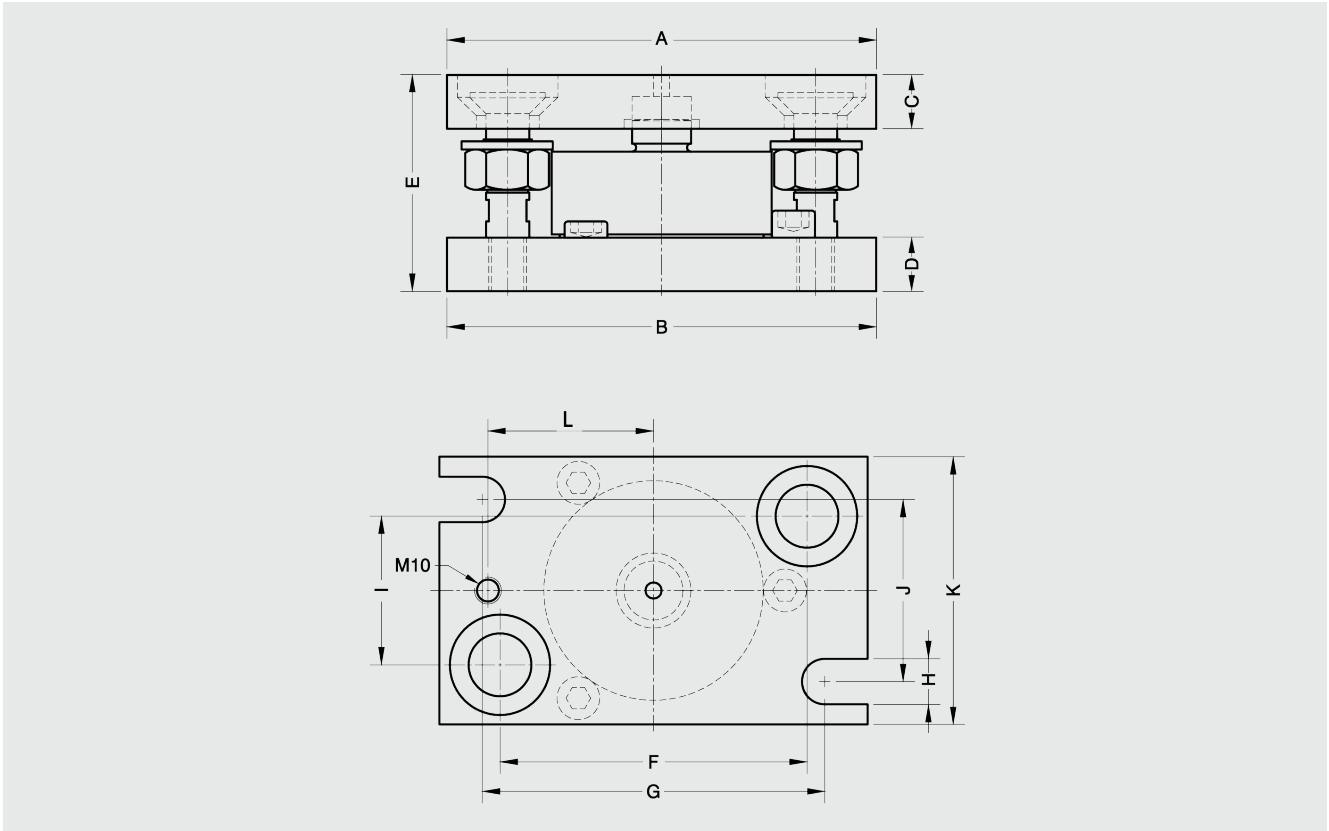
Technical data

Basic informations		
Standard	In accordance with directive VDI/VDE/DKD 2638	
Maximum permissible lateral displacement	±3 mm [±0.118 in]	
Maximum tension force		
vertical	< 20 t [44,093 lb]	59 kN [13,488.5 lbf]
	≥ 20 t [44,093 lb]	84.5 kN [18,996 lbf]
Maximum force		
horizontal direction	< 20 t [44,093 lb]	22 kN [4,946 lbf]
	≥ 20 t [44,093 lb]	32 kN [7,194 lbf]
Transport weight		
	< 20 t [44,093 lb]	5.3 kg [11.68 lb]
	≥ 20 t [44,093 lb]	13.5 kg [29.76 lb]
Material of the measuring body	Stainless steel	

Rated load F_{nom}

t	lb
2.5 ... 10	5,511 ... 22,046
20 ... 30	44,093 ... 66,139

Dimensions in mm [in]



Rated load in t	Dimensions in mm											
	A	B	C	D	E	F	G	H	I	J	K	L
2.5 ... 10	160	160	20	20	80	115	128	17	55.5	68	100	62
20 ... 30	218	218	25	25	100	168	180	21	100	100	150	62

Rated load in lb	Dimensions in Inch											
	A	B	C	D	E	F	G	H	I	J	K	L
5,511 ... 22,046	6.30	6.30	0.78	0.78	3.14	4.52	5.03	0.66	2.18	2.67	3.93	2.4
44,093 ... 66,139	8.58	8.58	0.98	0.98	3.93	6.61	7.08	0.82	3.93	3.93	5.90	2.4

→ WIKA accessories can be found online at www.wika.com.

Ordering information

Model / Rated load

© 08/2024 WIKA Alexander Wiegand SE & Co. KG, all rights reserved.
 The specifications given in this document represent the state of engineering at the time of publishing.
 We reserve the right to make modifications to the specifications and materials.
 In case of a different interpretation of the translated and the English data sheet, the English wording shall prevail.



WIKAL Alexander Wiegand SE & Co. KG
 Alexander-Wiegand-Straße 30
 63911 Klingenberg/Germany
 Phone +49 9372 132-0
 info@wika.de
 www.wika.com