

Electrical temperature
measurement

Sapphire-design thermocouple



WIKAI

Part of your business

Sapphire – the best quality

The high-temperature thermocouple TC84 features a gas-tight sapphire thermowell.

Its monocrystalline structure protects the noble metal of the thermocouple from being poisoned as a result of the aggressive atmosphere inside a gas reactor.

The optimum solution for temperature measurements in:

- Gas reactors
- GtL reactors (Gas-to-Liquids)
- Sulphur recovery plants



Developed specifically for extreme conditions:

- High temperatures
- High pressures
- High safety requirements
- Toxic media

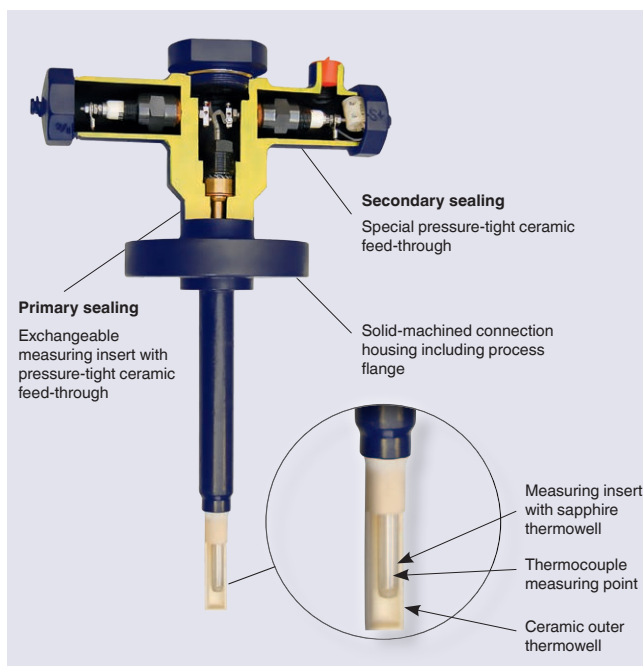
Cost saving due to repair options

The high-temperature thermocouples are designed such that they allow low-cost repair after removing a defective sensor from the reactor.

for thermocouple protection

Benefits to the user

- 3 times longer service life in comparison to purely ceramic thermowells due to the monocrystalline structure of the sapphire thermowell
- High process safety with processes up to 1,700 °C and 65 bar
- Cost saving due to the elimination of a complex rinsing system and valves and fittings for flow measurement
- Reduction of unplanned downtime
- Increased safety against escape of toxic media through double sealing system



Protection mechanisms

- The primary sealing serves as protection against escape from the process at high pressures and temperatures. The secondary sealing is the safeguard in the event of a malfunction in the primary seal due to any unforeseeable disturbance to the primary seal.

Double-protected sensor tip

- Ceramic outer thermowell for protection against harsh process conditions
- Sapphire measuring insert thermowell for internal protection against contamination of the thermocouples through diffusion

Tests

- Measuring insert at 100 bar
- Ceramic feed-through of the secondary sealing at 100 bar
- Entire measuring instrument at 1.5 times flange pressure rating

Specifications

Process connection	
Nominal width	<ul style="list-style-type: none"> ■ ASME: 1 1/2" ... 4" ■ EN 1092-1: DN40 ... DN100
Pressure ratings	<ul style="list-style-type: none"> ■ ASME: 300 ... 1,500 lbs ■ EN 1092-1: PN40 ... PN100
Sealing face	<ul style="list-style-type: none"> ■ ASME: RF, RTJ, LT, ST ■ EN 1092-1: shape B1, B2, E, C (tongue)
Materials	
Connection case and flange	<ul style="list-style-type: none"> ■ 1.4541, 1.5415, 1.7335, 1.7380 ■ F11, F22, SS321
Outer thermowell	
Ceramic C799:	■ Ø 15 x 2.5 mm
Ceramic C610	■ Ø 15 x 2 mm



Sensor types

Type	Recommended max. operating temperature
	IEC 60584-1
S	1,600 °C
R	1,600 °C
B	1,700 °C

Thermocouple

Type	Class
	IEC 60584-1:2013
S	1 and 2
R	1 and 2
B	2

WIKA Alexander Wiegand SE & Co. KG
 Alexander-Wiegand-Straße 30 / 63911 Klingenberg/Germany
 Tel. +49 9372 132-0 / Fax +49 9372 132-406
 info@wika.de / www.wika.de

