

# Bourdon tube pressure gauge OEM version Models 151.10, 151.12 and 151.17

WIKA data sheet PM 01.14

## Applications

- For gaseous and liquid media that are not highly viscous or crystallising and will not attack copper alloy parts and polyamide
- Air pumps, compressors
- Plant protection
- Pneumatics
- Heating and sanitary industries

## Special features

- Case and process connection one part (polyamide)
- Low weight
- Nominal size 40, 50 and 63
- Scale ranges 0 ... 2.5 to 0 ... 25 bar



Bourdon tube pressure gauge model 151.12

## Description

### Nominal size in mm

40, 50 and 63

### Accuracy class

2.5

### Scale ranges

0 ... 2.5 to 0 ... 25 bar

### Pressure limitation

Steady: 3/4 x full scale value

Fluctuating: 2/3 x full scale value

Short time: Full scale value

### Permissible temperature

Ambient: -20 ... +60 °C

Medium: +60 °C maximum

Storage: -40 ... +70 °C

### Temperature effect

When the temperature of the measuring system deviates from the reference temperature (+20 °C):

max.  $\pm 0.4\%$ /10 K of the span

## Standard version

### Process connection

Polyamide, (PA, glass-fibre reinforced)

Model 151.10: Lower mount (LM)

Model 151.12: Centre back mount (CBM)

Model 151.17: Lower back mount (LBM)

NS 40: G 1/8 B (male), 14 mm flats

NS 50, 63: G 1/4 B (male), 14 mm flats

### Pressure element

Copper alloy

### Movement

Copper alloy

### Dial

Plastic, white, with pointer stop pin

Black lettering

### Pointer

Plastic, black

### Case

Polyamide (PA, glass-fibre reinforced), black

### Window

Plastic, crystal-clear, snap-fitted in case

## Options

- Special connections (models 151.10 and 151.12):
  - R 1/8 - ISO7
  - R 1/4 - ISO7
  - 1/8 NPT
  - 1/4 NPT
- Other process connection
- Case and process connection from KTW approved plastic (for drinking water applications)

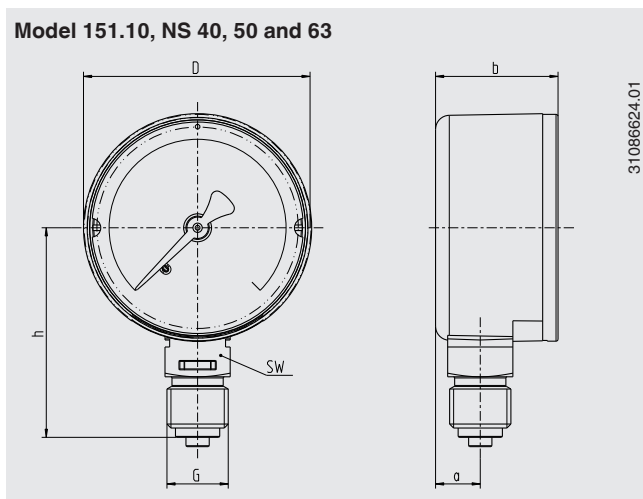
## Certificates <sup>1)</sup>

- 2.2 test report per EN 10204 (e.g. state-of-the-art manufacturing, material proof, indication accuracy)
- 3.1 inspection certificate per EN 10204 (e.g. indication accuracy)

1) Option

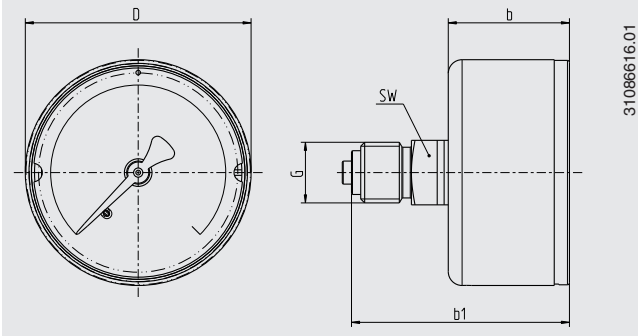
## Dimensions in mm

### Standard version



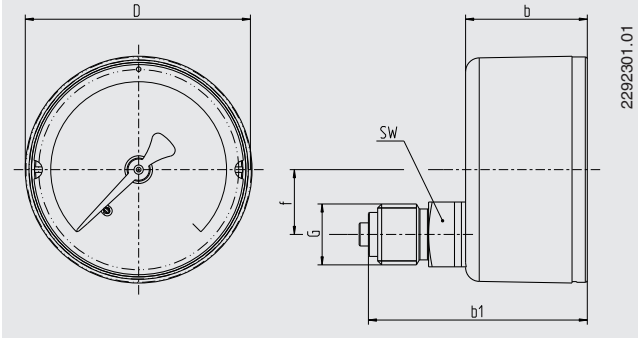
NS	Dimensions in mm					Weight in kg
	a	b ±0.5	D	G	SW	
40	9.6	26.5	39	G 1/8 B	14	0.03
50	9.6	26.5	49	G 1/4 B	14	0.04
63	9.6	26.5	62	G 1/4 B	14	0.04

**Model 151.12, NS 40, 50 and 63**



NS	Dimensions in mm					Weight in kg
	b ±0.5	b <sub>1</sub> ±1	D	G	SW	
40	26.5	44.5	39	G 1/8 B	14	0.03
50	26.5	47.5	49	G 1/4 B	14	0.04
63	26.5	47.5	62	G 1/4 B	14	0.04

**Model 151.17, NS 50**



NS	Dimensions in mm					Weight in kg
	b ±0.5	b <sub>1</sub> ±1	D	f	G	
50	26.5	47.5	49	14	G 1/4 B	0.04

**Ordering information**

Model / Nominal size / Scale range / Connection size / Connection location / Options

© 2015 WIKA Alexander Wiegand SE & Co. KG, all rights reserved.  
 The specifications given in this document represent the state of engineering at the time of publishing.  
 We reserve the right to make modifications to the specifications and materials.



**WIKAI Alexander Wiegand SE & Co. KG**  
 Alexander-Wiegand-Straße 30  
 63911 Klingenberg/Germany  
 Tel. +49 9372 132-0  
 Fax +49 9372 132-406  
 info@wika.de  
 www.wika.de