

# Pressure Gauge Accesories

## Pressure & Temperature Test Port Plugs

### Type 910.14.100

Datasheet 910.14.100

#### Application

Pressure and temperature test port plugs allow media access for hydronic pressure and temperature measurement without disturbing the process. Units are equipped with a self sealing pierceable rubber diaphragm. A seperate master test pressure gauge or thermometer with piercing stem is required.



1/4" NPT

#### Standard Features

##### Pressure Connection

1/4" NPT or 1/2" NPT Male

##### Material

Brass body; neoprene or nordel diaphragm core

##### Self-Sealing Diaphragm Material

Neoprene or Nordel

##### Pressure Rating

Brass            1/4" NPT - VAC to 1000 PSI  
                     1/2" NPT - VAC to 1000 PSI

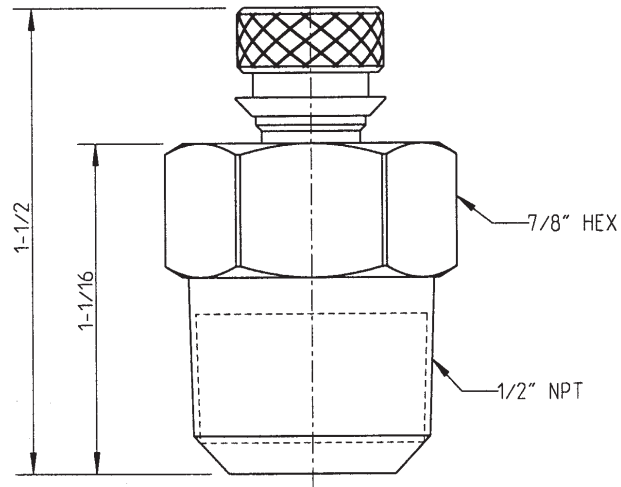
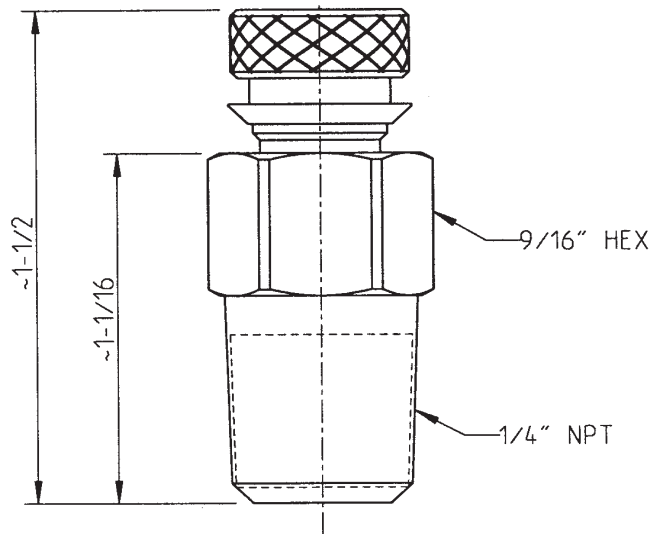
##### Temperature Rating

Neoprene 32-200°F max.  
Nordel 32-350°F max.



1/2" NPT

## Dimensions



Specifications and dimensions provided in this data sheet represent the state of engineering at the time of printing. Modifications may take place and materials specified may be replaced by others without prior notice.



**WIKAI Instrument Corporation**  
1000 Weigand Boulevard  
Lawrenceville, Georgia 30043-5868  
Tel: 770-513-8200 Fax: 770-338-5118  
wika.com e-mail: info@wika.com